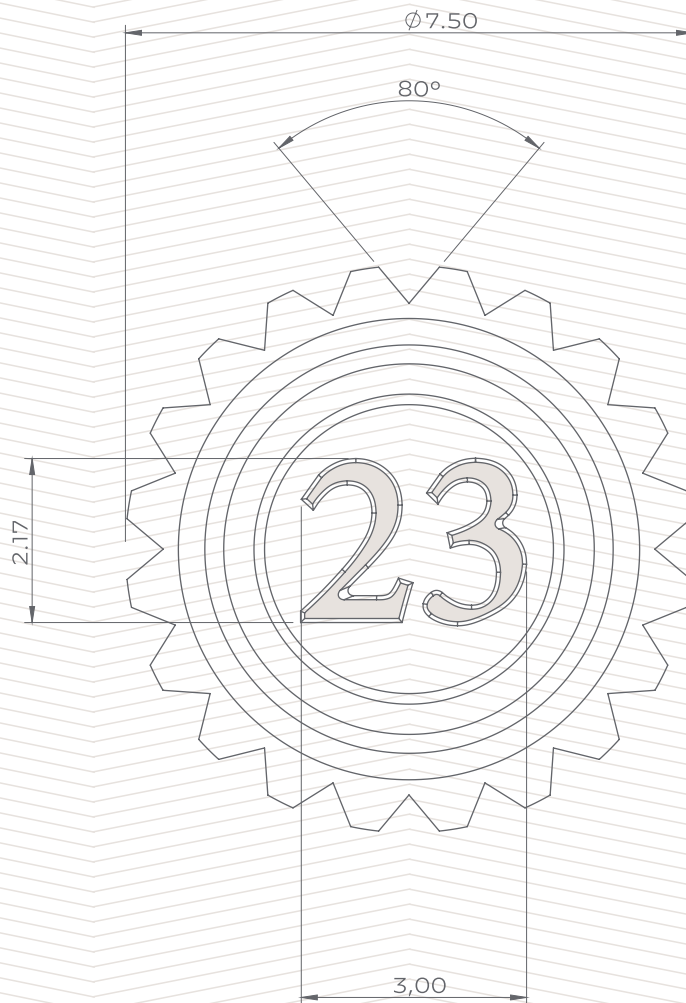


ULTIMOR

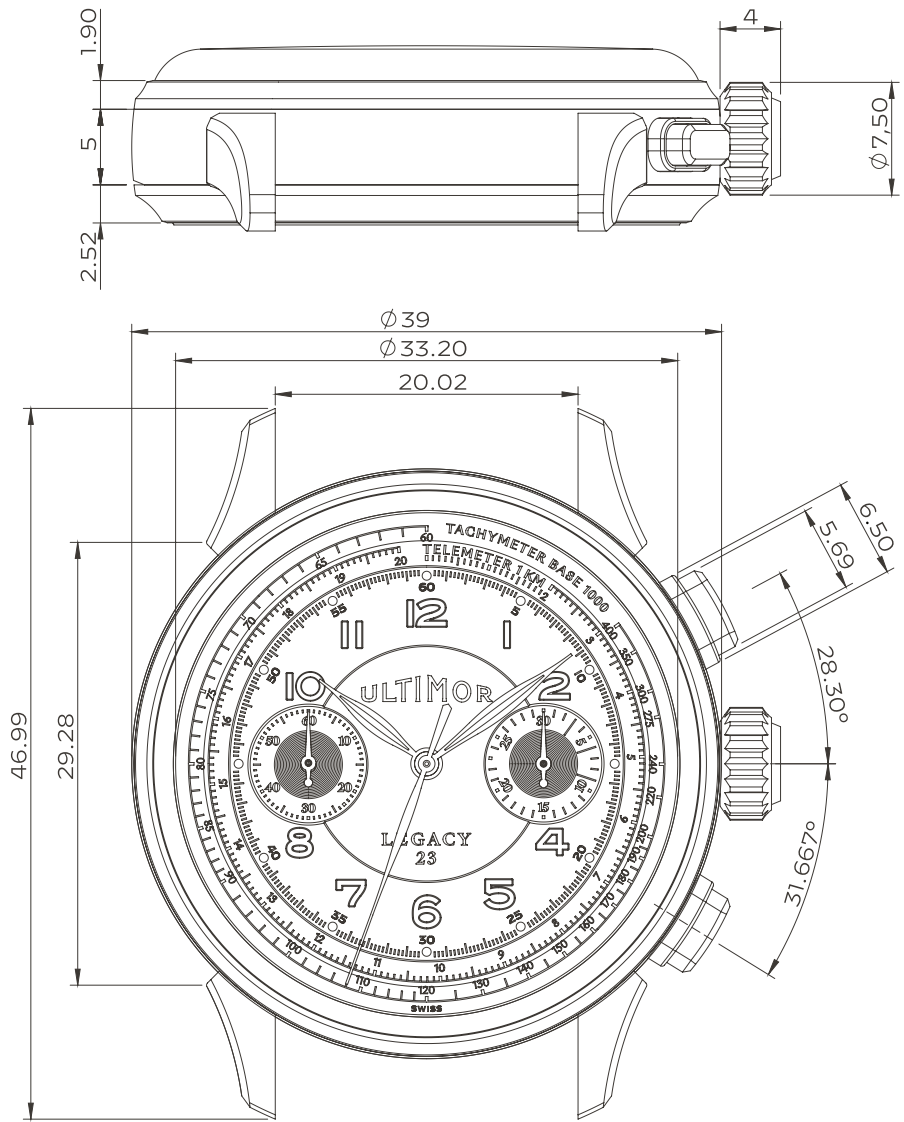
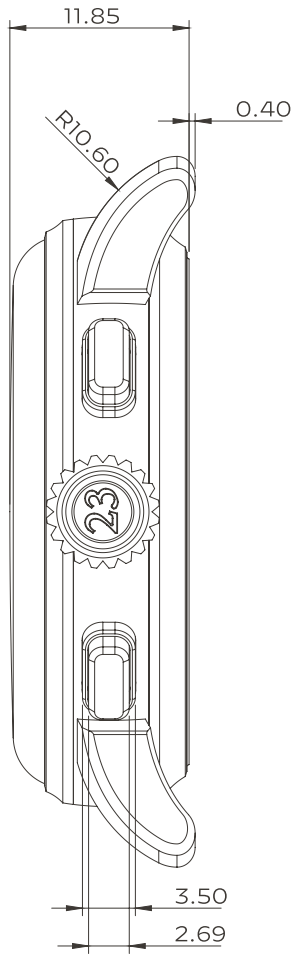
LEGACY



— TECHNICAL DESCRIPTION —



ULTIMOR WATCH COMPANY LTD



FUNCTIONS:

- Central hours/minutes
- Seconds at 9 o'clock
- Chronograph with centre seconds and minute counter at 3 o'clock

CASE:

- Material: 18-karat white gold
- Polished and satin finishes
- Total height: 11.85mm
- Diameter: 39mm
- Water resistance: 5 ATM (50 meters)
- PMMA box windows with anti-scratch treatment (NEX)
- PMMA bottom glass with anti-scratch treatment (NEX)
- Engraved 18-karat white gold back ring
- Crown: engraved "23"
- Asymmetrical pushers (Valjoux 23) with polished pusher covers

DIAL:

- Brass base
- Finishes and color: opaline dial with 3 diamond-polished bevelled chamfers, domed on the periphery
- Graduated scales: tachymeter & telemeter
- Indexes and numerals: applied cabochons and transferred numerals with Super-LumiNova C5
- Counters: circular brushed with diamond-polished chamfers, spiraled centres

HANDS:

Hour/minute:

- "Leaf" shaped hands pierced with Super-LumiNova C5
- Material: 18-karat white gold
- Diamond-polished rounded finish

Chronograph:

- "Leaf" shaped hands with counterweight and curved tip
- Material: Bronze
- Colour: blue (CVD) with red tip transfer

Counters:

- Hands with counterweight
- Material: 18-karat white gold
- Colour: blue (CVD)

WRISTLET/BUCKLE:

- Genuine alligator leather, anti-allergen lining, retro domed, hand stitching
- Colour: matte gold
- Ardillon buckle in 18-karat white gold with "Ultimor" engravings

CALIBRE:

- Historical calibre base Valjoux 23, new from the period and from a single batch
- Overall diameter: 30mm
- Height: 5.85mm
- Power reserve: approx. 40h
- Frequency: 2.5Hz
- Screw balance, blue hairspring

Exclusive decorations:

- Rhodium-plated plate with circular graining
- Rhodium-plated bridges with Geneva waves, manual bevel and satin finishing of the flanks
- Hand bevelled steels and satin finishing upper surfaces
- Polishing of stones sinks
- Black polished screws
- New mainspring
- Fine adjustment with hand-decorated "swan neck" mechanism
- Assembled by a Master Watchmaker expert in this type of movement

Limited to 10 exclusive pieces