

ULTIMOR

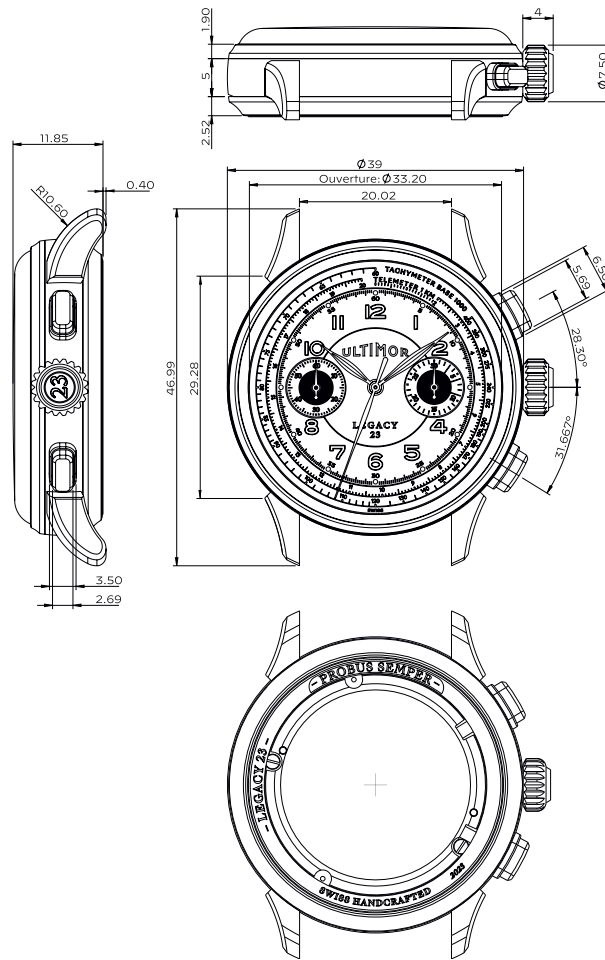
LEGACY



— *Speed Ring* —

2023 COLLECTION

THE
LEGACY 23
— Speed Ring —



SCALE 1:1

THE
LEGACY 23
— *Speed Ring* —

EXCLUSIVELY CRAFTED in 18-k 2N gold, the limited *Legacy Speed Ring Edition* is equipped with pristine and authentic new original stock (NOS) *Valjoux 23* iconic chronograph movement, with two sub-counters (3-9 layout), carefully treasured for almost 70 years, superbly terminated by hand to the highest degree, down to the smallest detail, by a single master Swiss watchmaker of *Ultimor*.

PRICE: CHF 26'900.-



CASE:

- Material: 18-karat 2N gold
- Polished and satin finishes
- Total height: 11.85mm
- Diameter: 39 mm
- Water resistance: 5 ATM (50 meters)
- PMMA box windows with anti-scratch treatment (NEX)
- Sapphire bottom glass
- Engraved 18-karat 2N gold back ring
- Crown: engraved "23"
- Asymmetrical pushers (Valjoux 23) with polished pusher covers

WRISTLET/BUCKLE:

- Genuine alligator leather, anti-allergen lining, retro domed, hand stitching
- Ardillon buckle in 18-karat 2N gold with "Ultimor" engravings





FUNCTIONS:

- Central hours/minutes
- Seconds at 9 o'clock
- Chronograph with center second and minute counter at 3 o'clock

DIAL:

- Brass base
- Finishes and color: Satin black & champagne dial with 3 diamond-polished bevelled chamfers, domed on the periphery
- Graduated scales: tachymeter & telemeter
- Indexes and numerals: applied cabochons in 18-karat 2N gold and transferred numerals with Super-LumiNova C5
- Counters: circular brushed with diamond-polished chamfers, spiraled centres

HANDS:

Hour/minute:

- "Leaf" shaped hands pierced with Super-LumiNova C5
- Material: 18-karat 2N gold
- Diamond-polished rounded finish

Chronograph:

- "Leaf" shaped hands with counterweight and curved tip
- Material: Bronze
- Colour: 2N gold with red tip transfer

Counters:

- Hands with counterweight
- Material: 18-karat 2N gold





CALIBRE:

- Historical calibre base Valjoux 23, new from the period and from a single batch
- Overall diameter: 30 mm
- Height: 5.85 mm
- Power reserve: approx. 40 h
- Frequency: 2.5 Hz
- Screw balance, blue hairspring

Exclusive decorations:

- Polishing of stones sinks
- Black polished screws
- New mainspring
- Fine adjustment with hand-decorated "swan neck" mechanism
- Assembled by a Master Watchmaker expert in this type of movement

**DESCRIPTION OF THE EXCLUSIVE DECORATION OPERATIONS
ON THE VALJOUX 23 CALIBRE**

Components	Valjoux N° ref. ▼	Operations
1 Main plate	100	Circular graining, rhodium plated
2 Gear train bridge	110	Straight-grained flanks, hand polished beveling, recess polished, Geneva strips, rhodium plated
3 Barrel bridge	105	Straight-grained flanks, hand polished beveling, recess polished, Geneva strips, rhodium plated
4 Balance wheel bridge	121	Hand engraving, straight-grained flanks, hand polished beveling, recess polished, gold plated - rhodium plated, swan neck mounting
5 Chronograph bridge	8500	Laser engraving, straight-grained flanks, hand polished beveling, recess polished, Geneva strips, gold plated - rhodium plated
6 Regulator	301	Mirror polished
7 Pallets bridge	125	Straight-grained flanks, satin finish, rhodium plated
8 Clutch spring	8320	Straight-grained flanks, hand polished beveling, satin finish, rhodium plated
9 Clutch	8080	Straight-grained flanks, hand polished beveling, satin finish, rhodium plated
10 Clutch bridge	8080	Straight-grained flanks, satin finish, rhodium plated
11 Columns Wheel jumper	8355	Straight-grained flanks, hand polished beveling, satin finish, rhodium plated
12 Lever spring	8335	Straight-grained flanks, hand polished beveling, satin finish, rhodium plated
13 Lever	8140	Straight-grained flanks, hand polished beveling, satin finish, rhodium plated
14 Hammer	8220	Straight-grained flanks, hand polished beveling, satin finish, rhodium plated
15 30 min sliding	8100	Unalterable mounted piece
16 Minutes counter spring	8270	Straight-grained flanks, hand polished beveling, satin finish, rhodium plated
17 Brake lever spring	8345	Straight-grained flanks, hand polished beveling, satin finish, rhodium plated
18 Sliding spring	8325	Straight-grained flanks, hand polished beveling, satin finish, rhodium plated
19 Brake lever	8200	Straight-grained flanks, hand polished beveling, satin finish, rhodium plated
20 Hammer spring	8350	Straight-grained flanks, hand polished beveling, satin finish, rhodium plated
21 Columns wheel lever	8140	Straight-grained flanks, hand polished beveling, satin finish, rhodium plated



*Pristine and authentic new original stock
(NOS) Valjoux 23*

ULTIMOR

EMAIL

world@ultimorwatch.com

WEBSITE

ultimorwatch.com

COMMUNITY

[instagram.com/ultimorwatch/](https://www.instagram.com/ultimorwatch/)