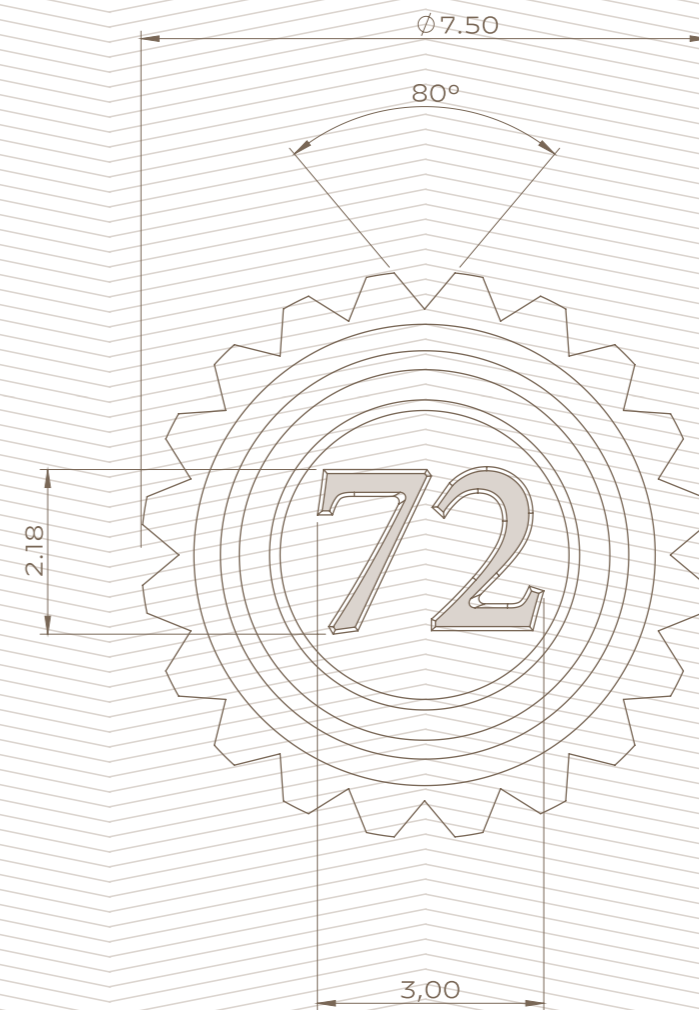


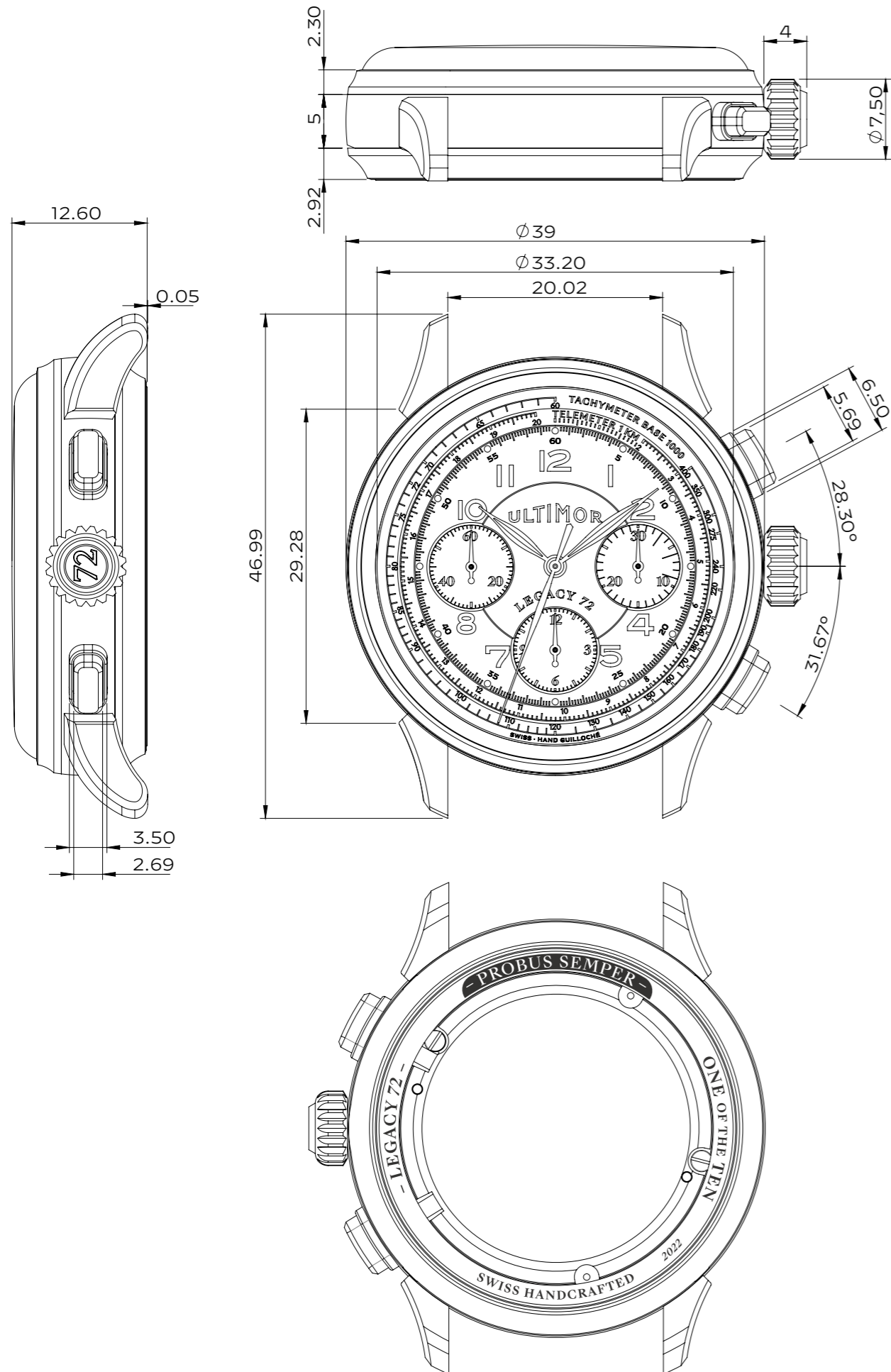


ULTIMOR WATCH COMPANY LTD

ULTIMOR LEGACY



— TECHNICAL DESCRIPTION —



FUNCTIONS:

- Central hours/minutes
- Seconds at 9 o'clock
- Chronograph with centre seconds, minute counter at 3 o'clock and hours counter at 6 o'clock

CASE:

- Material: 18-karat rose gold 4N
- Polished and satin finishes
- Total height: 12.6mm
- Diameter: 39mm
- Water resistance: 5 ATM (50 meters)
- PMMA box windows with anti-scratch treatment (NEX)
- PMMA bottom glass with anti-scratch treatment (NEX)
- Engraved 18-karat rose gold 4N back ring
- Crown: engraved "72"
- Asymmetrical pushers (Valjoux 72) with polished pusher covers

DIAL:

- Brass base
- Finishes and color: opaline dial with 3 diamond-polished bevelled chamfers, domed on the periphery
- Graduated scales: tachymeter & telemeter
- Indexes: applied "Ultimor" Logo, cabochons and numerals in 18-karat rose gold 4N
- Counters: in 18-karat rose gold 4N, circular brushed and stamped decors

HANDS:

Hour/minute:

- Skeleton "Leaf" shaped hands
- Material: 18-karat rose gold 4N
- Diamond-polished rounded finish

Chronograph:

- "Leaf" shaped hands with counterweight and curved tip
- Material: Bronze
- Colour: rose gold 4N

Counters:

- Hands with counterweight
- Material: 18-karat rose gold 4N
- with red tip transfer

WRISTLET/BUCKLE:

- Genuine alligator leather, anti-allergen lining, retro domed, hand stitching
- Colour: matte ebony
- Ardillon buckle in 18-karat rose gold 4N with "Ultimor" and "LEGACY 72" engravings

CALIBRE:

- Historical calibre base Valjoux 72, new from the period and from a single batch
- Overall diameter: 30mm
- Height: 6.95mm
- Power reserve: approx. 40h
- Frequency: 2.5Hz
- Screw balance, blue hairspring

Exclusive decorations:

- Rhodium-plated plate with circular graining
- Rhodium-plated bridges with Geneva waves, manual bevel and satin finishing of the flanks
- Hand bevelled steels and satin finishing upper surfaces
- Polishing of stones sinks
- Black polished screws
- New mainspring
- Fine adjustment with hand-decorated "swan neck" mechanism
- Assembled by a Master Watchmaker expert in this type of movement

Limited to 10 exclusive pieces